

Nexus 105 Sounder Beacon (DC)

The Nexus 105 is a high output, low current consumption sounder beacon designed for fire and industrial applications. Connections are made to the base during the initial wiring phase which results in faster and more reliable installation. In addition, the head is fixed by quarter turn fasteners avoiding the need to screw up four individual screws thus enabling faster installation and accurate seal compression for weatherproofing. The Nexus Sounder Beacon is available with a high efficiency LED or high output xenon beacon. The combination of a powerful sounder and high output beacon ensures a very effective audio-visual signal. 110dB and 120dB units, as well as AC variants, are also available.

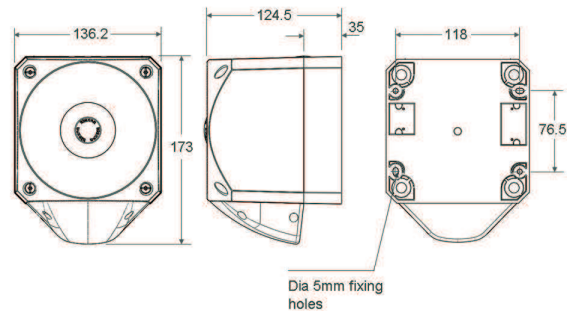
Features

- High sound output: 113dB (max); 105dB (typical)
- 5J xenon or high efficiency LED beacon option
- Quarter turn fasteners for ease of installation
- First-fix, wire to base technology
- IP66 rated
- Three alarm stages
- Low in-rush current (LED only)
- Static/flashing mode (LED only)
- Volume control for greater flexibility - 20dB
- 64 tones
- Separate connections for sounder & beacon

Lens Colour Options



Applications - Fire alarm; conveyors; process control alarm; cranes; moving machinery; general signalling; marine



Specifications

Part No.	Lens Colour	Beacon Type	Audibility at 1m	Tones	Voltage	Sounder Current	Beacon Current
PNC-0001	Red lens	Xenon beacon	Up to 113dB (A)	64	10-60V DC	8-40mA	330mA@24V DC
PNC-0002	Amber lens	Xenon beacon	Up to 113dB (A)	64	10-60V DC	8-40mA	330mA@24V DC
PNC-0020	Clear lens	Xenon beacon	Up to 113dB (A)	64	10-60V DC	8-40mA	330mA@24V DC
PNC-0043	Blue lens	Xenon beacon	Up to 113dB (A)	64	10-60V DC	8-40mA	330mA@24V DC
PNC-0041	Green lens	Xenon beacon	Up to 113dB (A)	64	10-60V DC	8-40mA	330mA@24V DC
PNC-0024	Red lens	LED beacon	Up to 113dB (A)	64	10-60V DC	8-40mA	18mA/65mA**
PNC-0028	Amber lens	LED beacon	Up to 113dB (A)	64	10-60V DC	8-40mA	18mA/65mA**
PNC-0045	Clear lens	LED beacon	Up to 113dB (A)	64	10-60V DC	8-40mA	18mA/65mA**
PNC-0047	Blue lens	LED beacon	Up to 113dB (A)	64	10-60V DC	8-40mA	18mA/65mA**
PNC-0046	Green lens	LED beacon	Up to 113dB (A)	64	10-60V DC	8-40mA	18mA/65mA**

** Flashing/Static current consumption figures.

IP Rating: IP66 **Operating Temp:** -25°C to +70°C **Cable Entries:** 5 **Weight:** 0.8kg
Compliance: EN54-3 Type

klaxon
Signalling Solutions

Nexus 105 Sounder Beacon (AC)

The Nexus 105 is a high output sounder-beacon designed for industrial applications.

Connections are made to the base during the initial wiring phase which results in faster and more reliable installation. In addition, the head is fixed by quarter turn fasteners enabling faster installation and accurate seal compression for weatherproofing.

The combination of powerful sounder and high output xenon beacon ensures a very effective audio-visual signal.

110dB and 120dB units, as well as DC variants, are also available.

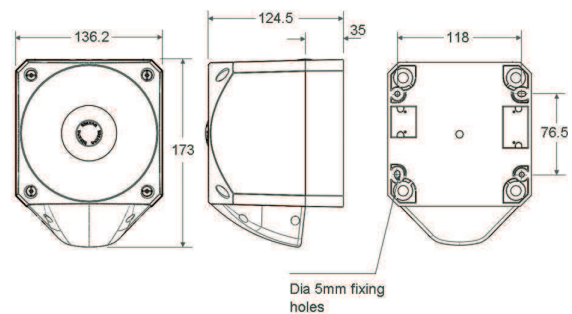
Features

- High sound output: 113dB (max); 105dB typical
- 5J xenon beacon
- Quarter turn fasteners for ease of installation
- First-fix, wire to base technology
- IP66 rated
- Volume control for greater flexibility - 20dB
- 64 tones
- Separate connections for sounder & beacon

Lens Colour Options



Applications - Conveyors; process control alarm; cranes; moving machinery; general signalling; marine



Specifications

Part No.	Lens Colour	Beacon Type	Audibility at 1m	Tones	Voltage	Sounder Current	Beacon Current
PNC-0005	Red lens	5J xenon beacon	Up to 113dB (A)	64	110/230V AC	40mA (max)	70mA
PNC-0007	Amber lens	5J xenon beacon	Up to 113dB (A)	64	110/230V AC	40mA (max)	70mA
PNC-0019	Clear lens	5J xenon beacon	Up to 113dB (A)	64	110/230V AC	40mA (max)	70mA
PNC-0044	Blue lens	5J xenon beacon	Up to 113dB (A)	64	110/230V AC	40mA (max)	70mA
PNC-0042	Green lens	5J xenon beacon	Up to 113dB (A)	64	110/230V AC	40mA (max)	70mA

IP Rating: IP66 Operating Temp: -25°C to +55°C Cable Entries: 5 Weight: 0.8kg

Nexus 110 Sounder Beacon (DC)

The Nexus 110 is a high output, low current consumption sounder beacon designed for fire and industrial applications. Connections are made to the base during the initial wiring phase which results in faster and more reliable installation. In addition, the head is fixed by quarter turn fasteners enabling faster installation and accurate seal compression for weatherproofing. The Nexus Sounder Beacon is available with either a high efficiency LED or xenon beacon. The combination of a powerful sounder and high output beacon ensures a very effective audio-visual signal. 105dB and 120dB units, as well as AC variants, are also available.

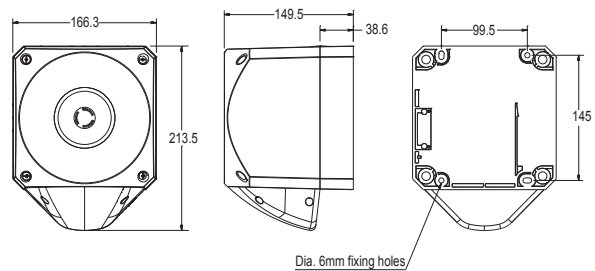
Features

- High sound output: 116dB (max); 110dB (typical)
- Three alarm stages
- 5J xenon or high efficiency LED beacon option
- Quarter turn fasteners for ease of installation
- First-fix, wire to base technology
- IP66 rated
- Volume control for greater flexibility - 20dB
- Low in-rush current (LED only)
- Static/flashing mode (LED only)
- 64 tones
- Separate connections for sounder & beacon

Lens Colour Options



Applications - Fire alarm; conveyors; process control alarm; cranes; moving machinery; general signalling; marine



Specifications

Part No.	Lens Colour	Beacon Type	Audibility at 1m	Tones	Voltage	Sounder Current	Beacon Current
PNC-0013	Red lens	Xenon beacon	Up to 116dB (A)	64	10-60V DC	10-50mA	330mA@24V DC
PNC-0015	Amber lens	Xenon beacon	Up to 116dB (A)	64	10-60V DC	10-50mA	330mA@24V DC
PNC-0021	Clear lens	Xenon beacon	Up to 116dB (A)	64	10-60V DC	10-50mA	330mA@24V DC
PNC-0050	Blue lens	Xenon beacon	Up to 116dB (A)	64	10-60V DC	10-50mA	330mA@24V DC
PNC-0048	Green lens	Xenon beacon	Up to 116dB (A)	64	10-60V DC	10-50mA	330mA@24V DC
PNC-0029	Red lens	LED beacon	Up to 116dB (A)	64	10-60V DC	10-50mA	18mA/65mA**
PNC-0034	Amber lens	LED beacon	Up to 116dB (A)	64	10-60V DC	10-50mA	18mA/65mA**
PNC-0052	Clear lens	LED beacon	Up to 116dB (A)	64	10-60V DC	10-50mA	18mA/65mA**
PNC-0054	Blue lens	LED beacon	Up to 116dB (A)	64	10-60V DC	10-50mA	18mA/65mA**
PNC-0053	Green lens	LED beacon	Up to 116dB (A)	64	10-60V DC	10-50mA	18mA/65mA**

** Flashing/Static current consumption figures.

IP Rating: IP66 **Operating Temp:** -25°C to +70°C **Cable Entries:** 5
Weight: 1.2kg **Compliance:** EN54-3 Type B

klaxon
Signalling Solutions

Nexus 110 Sounder Beacon (AC)

The Nexus 110 is a high output, sounder beacon designed for industrial applications.

Connections are made to the base during the initial wiring phase which results in faster and more reliable installation. In addition, the head is fixed by quarter turn fasteners enabling faster installation and accurate seal compression for weatherproofing.

The combination of powerful sounder and high output beacon ensures a very effective audio-visual signal.

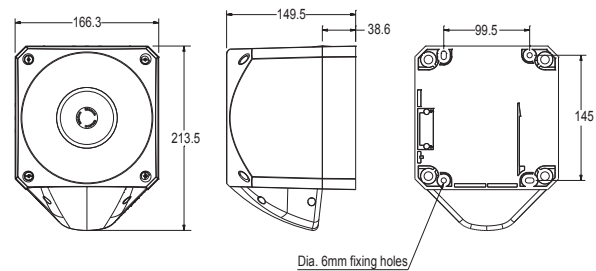
Features

- High sound output: 116dB (max); 110dB typical
- Low voltage AC variant
- 5J xenon and LED beacon options
- Three alarm stages
- Quarter turn fasteners for ease of installation
- First-fix, wire to base technology
- IP66 rated
- Volume control for greater flexibility - 20dB
- 64 tones
- Separate connections for sounder & beacon

Lens Colour Options



Applications - Conveyors; process control alarm; cranes; moving machinery; general signalling; marine



Specifications

Part No.	Lens Colour	Beacon Type	Audibility at 1m Dimensions:	Tones	Voltage	Sounder Current	Beacon Current
PNC-0062	Red lens	LED beacon	116dB (A)	64	24-48V AC	30-100mA	-
PNC-0063	Amber lens	LED beacon	116dB (A)	64	24-48V AC	30-100mA	-
PNC-0016	Red lens	Xenon 5J beacon	116dB (A)	64	110/230V AC	40mA (max)	70mA
PNC-0018	Amber lens	Xenon 5J beacon	116dB (A)	64	110/230V AC	40mA (max)	70mA
PNC-0072	Clear lens	Xenon 5J beacon	116dB (A)	64	110/230V AC	40mA (max)	70mA
PNC-0051	Blue lens	Xenon 5J beacon	116dB (A)	64	110/230V AC	40mA (max)	70mA
PNC-0049	Green lens	Xenon 5J beacon	116dB (A)	64	110/230V AC	40mA (max)	70mA

IP Rating: IP66 Operating Temp: -25°C to +55°C Cable Entries: 5 Weight: 1.2kg

Nexus 120 Sounder Beacon (DC)

The Nexus 120 is a very high output sounder beacon designed for fire and industrial applications. Connections are made to the base during the initial wiring phase which results in faster and more reliable installation. In addition, the head is fixed by quarter turn fasteners enabling faster installation and accurate seal compression for weatherproofing. IP66 as standard means that Nexus can be installed in almost any location. The Nexus Sounder Beacon is available with a high efficiency LED or xenon beacon. The combination of powerful sounder and high output beacon ensures a very effective audio-visual signal. 105dB and 110dB units, as well as AC variants, are also available.

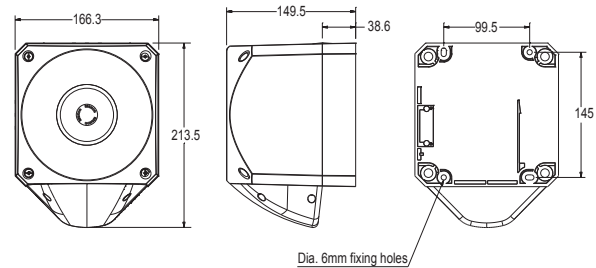
Features

- High sound output 120dB (typical)
- Three alarm stages
- 5J xenon or high efficiency LED beacon option
- Quarter turn fasteners for ease of installation
- First-fix, wire to base technology
- IP66 rated
- Volume control for greater flexibility - 20dB
- Low in-rush current (LED only)
- Static/flashing mode (LED only)
- 64 tones
- Separate connections for sounder & beacon

Lens Colour Options



Applications - Fire alarm; conveyors; process control alarm; cranes; moving machinery; general signalling; marine



Specifications

Part No.	Lens Colour	Beacon Type	Audibility at 1m	Tones	Voltage	Sounder Current	Beacon Current
PNC-0003	Red lens	Xenon beacon	Up to 120dB (A)	64	10-60V DC	120-550mA	330mA@24V DC
PNC-0004	Amber lens	Xenon beacon	Up to 120dB (A)	64	10-60V DC	120-550mA	330mA@24V DC
PNC-0022	Clear lens	Xenon beacon	Up to 120dB (A)	64	10-60V DC	120-550mA	330mA@24V DC
PNC-0057	Blue lens	Xenon beacon	Up to 120dB (A)	64	10-60V DC	120-550mA	330mA@24V DC
PNC-0055	Green lens	Xenon beacon	Up to 120dB (A)	64	10-60V DC	120-550mA	330mA@24V DC
PNC-0035	Red lens	LED beacon	Up to 120dB (A)	64	10-60V DC	120-550mA	18mA/65mA**
PNC-0039	Amber lens	LED beacon	Up to 120dB (A)	64	10-60V DC	120-550mA	18mA/65mA**
PNC-0059	Clear lens	LED beacon	Up to 120dB (A)	64	10-60V DC	120-550mA	18mA/65mA**
PNC-0061	Blue lens	LED beacon	Up to 120dB (A)	64	10-60V DC	120-550mA	18mA/65mA**
PNC-0060	Green lens	LED beacon	Up to 120dB (A)	64	10-60V DC	120-550mA	18mA/65mA**

** Flashing/Static current consumption figures.

IP Rating: IP66 Operating Temp: -25°C to +70°C Cable Entries: 5
Weight: 2kg Compliance: EN54-3 Type B

klaxon
Signalling Solutions

Nexus 120 Sounder Beacon (AC)

The Nexus 120 is a very high output sounder beacon designed for industrial applications.

Connections are made to the base during the initial wiring phase which results in faster and more reliable installation. In addition, the head is fixed by quarter turn fasteners enabling faster installation and accurate seal compression for weatherproofing. IP66 as standard means that Nexus can be installed in almost any location.

The combination of powerful sounder and high output xenon beacon ensures a very effective audio-visual signal.

105dB and 110dB units, as well as DC variants, are also available.

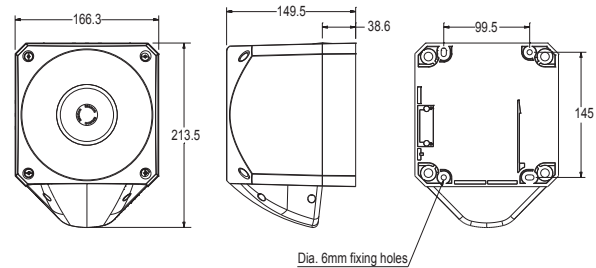
Features

- High sound output 120dB (A)
- 5J xenon beacon
- Three alarm stages
- Quarter turn fasteners for ease of installation
- First-fix, wire to base technology
- IP66 rated
- Volume control for greater flexibility - 20dB
- 64 tones
- Separate connections for sounder & beacon

Lens Colour Options



Applications - Conveyors; process control alarm; cranes; moving machinery; general signalling; marine



Specifications

Part No.	Lens Colour	Beacon Type	Audibility at 1m	Tones	Voltage	Sounder Current	Beacon Current
PNC-0009	Red lens	5J xenon beacon	Up to 120dB (A)	64	110/230V AC	200mA	70mA
PNC-0011	Amber lens	5J xenon beacon	Up to 120dB (A)	64	110/230V AC	200mA	70mA
PNC-0023	Clear lens	5J xenon beacon	Up to 120dB (A)	64	110/230V AC	200mA	70mA
PNC-0058	Blue lens	5J xenon beacon	Up to 120dB (A)	64	110/230V AC	200mA	70mA
PNC-0056	Green lens	5J xenon beacon	Up to 120dB (A)	64	110/230V AC	200mA	70mA

IP Rating: IP66 Operating Temp: -25°C to + 55°C Cable Entries: 5 Weight: 2kg