

# Quick install guide

## X10 DC

### 10-60v DC / 10-30v AC



LOCATION



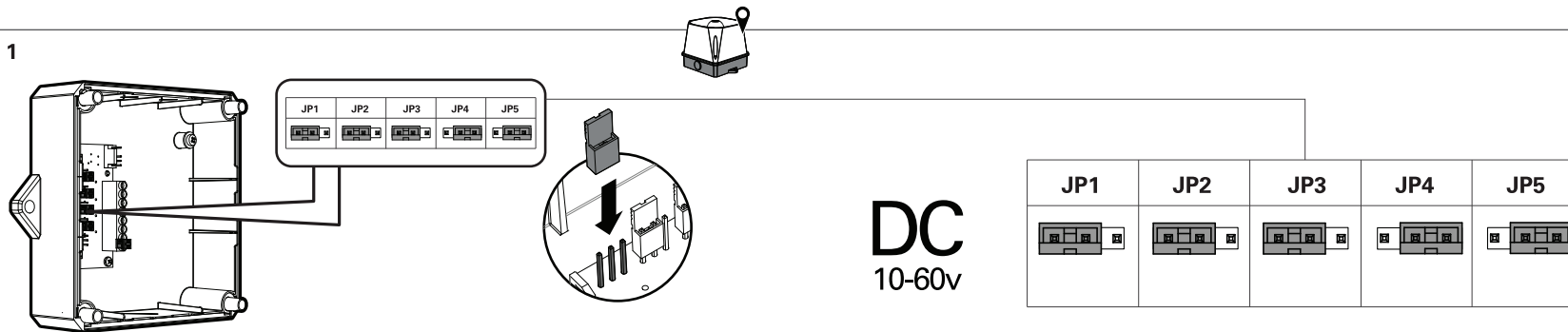
SETTINGS TABLE



**CAUTION!**  
ISOLATE POWER

Only qualified personnel may install, configure or repair this product.

Figure 1



**IMPORTANT MAKE SURE JUMPERS ARE CONFIGURED AS ABOVE**

Figure 2

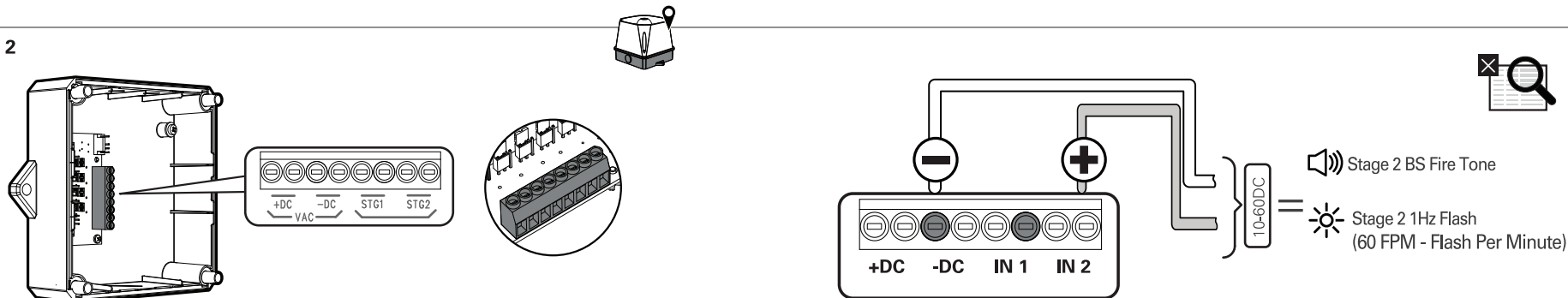
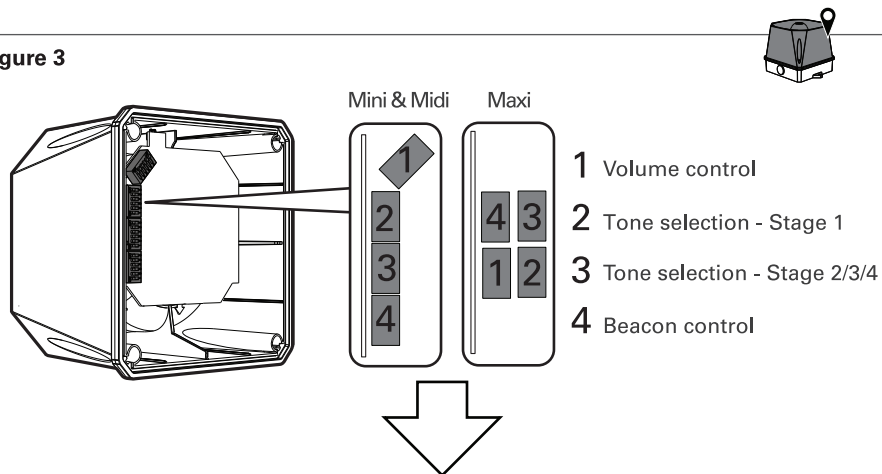
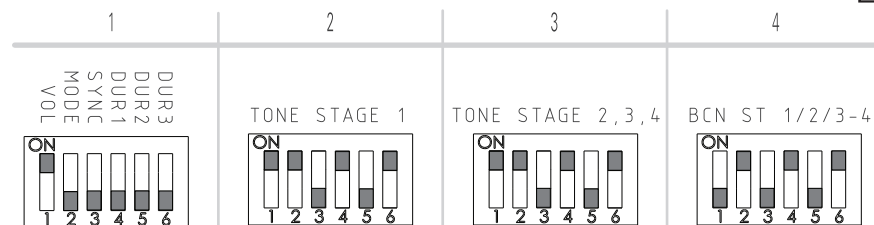


Figure 3



Factory Default Setting



Advanced Settings

Max Volume  
Standard Mode 3 Stage  
Immediate Start  
Time out Disabled

Stage 1 Tone  
BS Fire Tone

Stage 2 BS Fire Tone  
Stage 3 PFEER Toxic Gas

Beacon Pattern  
Stage 1 Off  
Stage 2 1Hz Flash  
(60 FPM - Flash per Minute)  
Stage 3 Off



Powering Business Worldwide

Quick install guide  
**X10 DC**  
**10-60v DC / 10-30v AC**



LOCATION



SETTINGS TABLE



**CAUTION!**  
**ISOLATE POWER**

Only qualified personnel may install, configure or repair this product.

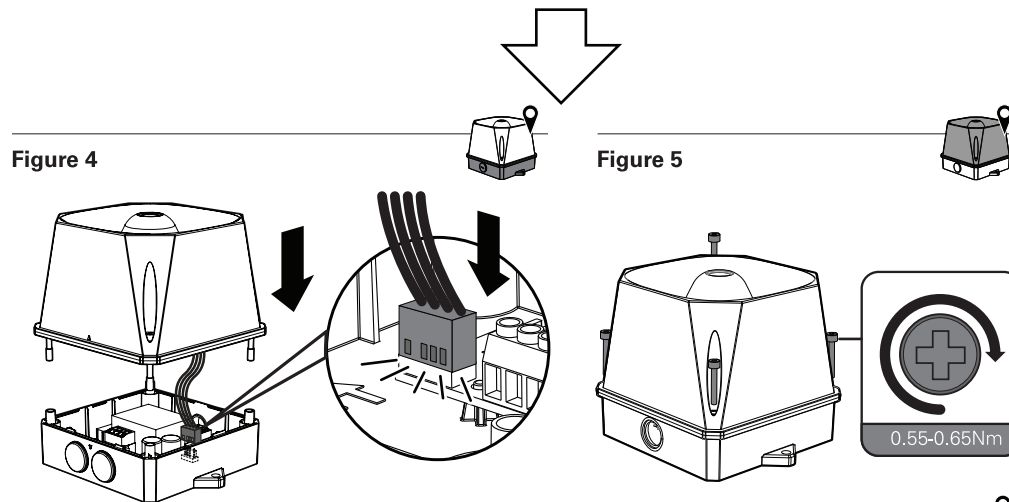


Figure 4

Figure 5

Figure 6 (Mini, Midi)

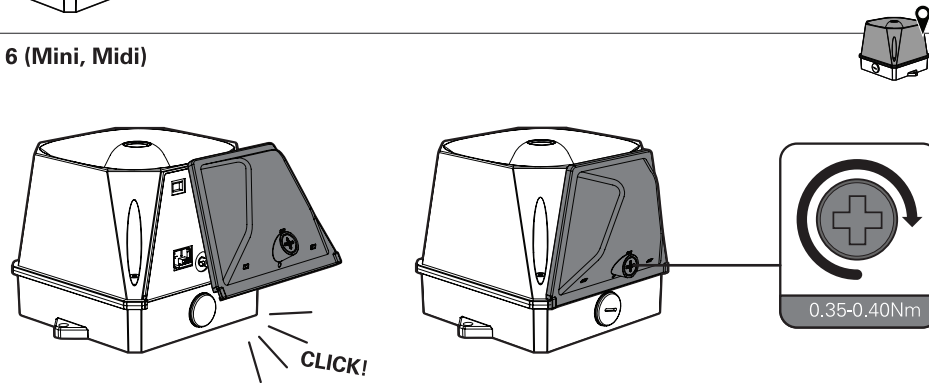
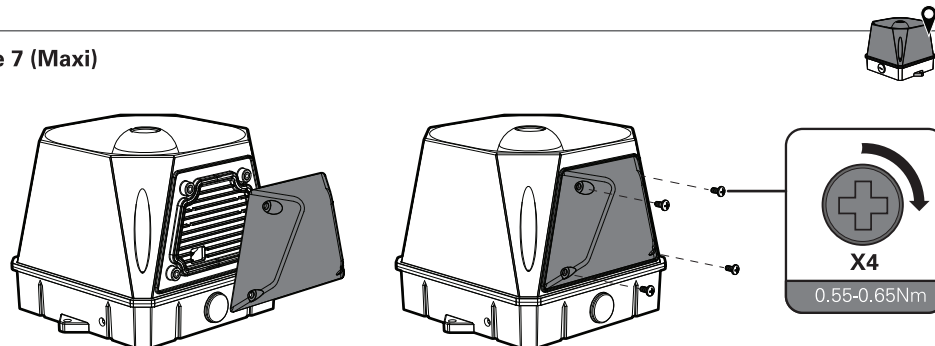


Figure 7 (Maxi)



Insert into position

**Default settings**

<b>SDR TONE</b>	Stage 1 BS Fire Tone Stage 2 BS Fire Tone Stage 3 PFEER Toxic Gas
<b>BEACON</b>	Stage 1 Off Stage 2 1Hz Flash (60FPM - Flash Per Minute) Stage 3 Off
<b>SPL</b>	Max
<b>Stage Polarity</b>	+

**Manual:**

For more information on how to further adjust and setup the Eaton X10 please refer to the manual:  
[www.eaton.com/manuals/x10](http://www.eaton.com/manuals/x10)

**Contact:**

Technical support

Tel: +44(0)1633 628500

Email: [FireCustomerService@eaton.com](mailto:FireCustomerService@eaton.com)

**Eaton Electrical Products**

Llantarnam Park,  
 Cwmbran  
 NP44 3AW,  
 United Kingdom

© 2019 Eaton  
 All Rights Reserved

Eaton is a registered trademark.  
 All other trademarks are property of their respective owners.



Powering Business Worldwide