

Sonos Sounder (DC)

A general purpose electronic sounder for fire, security and industrial applications; the Sonos Sounder is certified to EN54.

With the TimeSaver base, connections are made to the base during the initial wiring phase which results in faster and more reliable installation. The sounder head 'twists and clicks' into the base on commissioning, avoiding the wiring and connection problems associated with traditional sounders.

With a choice of 32 tones including all the major international standards, the Sonos Sounder has universal acceptance.

Deep base units have weatherproof protection to IP65 and can be used in all locations both indoors and outdoors.

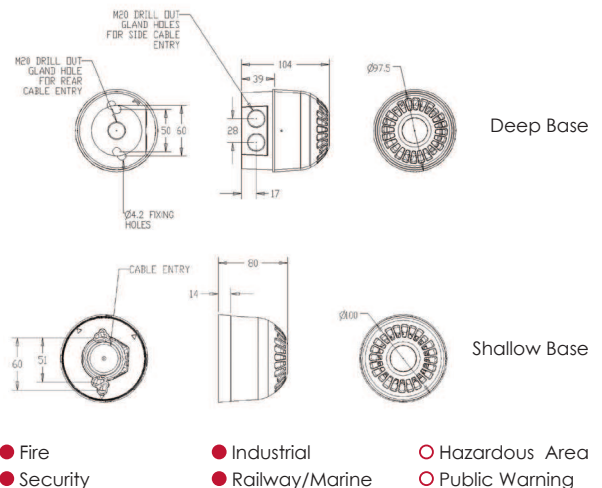
Sonos Sounder units are available in either red or white and with a choice of deep or shallow TimeSaver base.

Features

- Wide voltage range
- Simple 'First Fix' installation
- 32 tones
- Tone and volume can be preset or adjusted off-base
- Weatherproof to IP65 (deep base units)
- Synchronised alarm tones
- Volume control - 20dB



Applications - Fire; security; industrial alarm



Specifications

Combined Part No.	Base Part No.	Head Part No.	Colours	Audibility at 1m	Tones	Voltage *	Current (tone dependent)
PSS-0003	PSO-0001 shallow base	PSS-0084	Red	Up to 106dB (A)	32	9-60V DC	4-41mA
PSS-0039	PSO-0006 shallow base	PSS-0089	White	Up to 106dB (A)	32	9-60V DC	4-41mA
PSS-0020	PSO-0003 deep base	PSS-0084	Red	Up to 106dB (A)	32	9-60V DC	4-41mA
PSS-0050	PSO-0007 deep base	PSS-0089	White	Up to 106dB (A)	32	9-60V DC	4-41mA

*EN54 compliant at 17-60V

IP Rating: IP65 (deep base) IP21 (shallow base) **Rating:** Continuous **Frequency:** 400-2850Hz **Operating Temp:** -25°C to +70°C
Construction: Flame Retardant Polycarbonate **Cable Entries:** Deep Base: 2 x 20mm cable glands
Weight: 0.22kg (shallow base) 0.25kg (deep base) **Compliance:** EN54 3 Type A (shallow base) EN54 3 Type B (deep base)

Sonos Sounder (AC)

A general purpose AC electronic sounder for fire, security and industrial applications.

With a choice of 32 tones including all the major European standards, Sonos is suitable for use across Europe.

Sonos AC sounders are weatherproof to IP65 and can be used in all locations both indoors and outdoors.

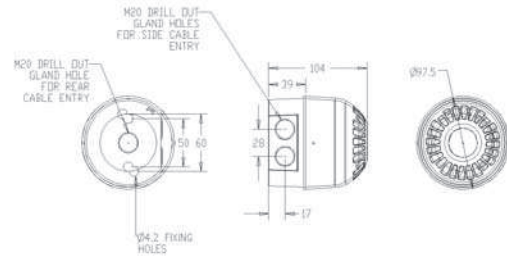
Sonos sounder units are available in either red or white.

Features

- Dual Voltage 110V AC or 230V AC
- Up to 106 dB (A) @ 1 metre
- Simple 'First Fix' installation
- Weatherproof to IP65
- Synchronised alarm tones
- Volume control - 20dB



Applications - Fire; security; industrial alarm



- Fire
- Security
- Industrial
- Railway/Marine
- Hazardous Area
- Public Warning

Specifications

Part No.	Base	Colours	Audibility at 1m	Tones	Voltage	Current (tone dependent)
18-980480	deep base	Red	Up to 102dB (A)	32	110/230V AC	50mA
18-980481	deep base	White	Up to 102dB (A)	32	110/230V AC	50mA

IP Rating: IP65 **Rating:** Continuous **Frequency:** See tone table **Operating Temp:** -25°C to +55°C

Construction: Flame Retardant Polycarbonate **Cable Entries:** 2 x 20mm cable glands

Weight: 250g **Compliance:** EN60950