

# SL15 status lights range

Ex d, weatherproof



## Overview

These status lights have been designed for use in potentially explosive atmospheres and harsh environmental conditions.

The indicators are suitable for use offshore or onshore, where a high degree of corrosion resistance is required.

The housings are manufactured from a UV stable, glass reinforced polyester (GRP) fitted to a stainless steel mounting plate for ease of installation. Stainless steel fixings are also used, ensuring a corrosion free product.

Units can be painted to customer specification and supplied with identification labels.

Units can be supplied as 2, 3 or 4 way in any combination.

## Features

- Zone 1 and Zone 2 use
- ATEX certified
- Ex II 2GD
- IECEx certified Gb, Db
- UL certified (see US data sheet)
- IP66 and 67
- Certified temperature: -55°C to +70°C\*
- Corrosion free GRP
- Filament 60W
- High powered LED flashing or steady
- Various flash rates available for xenon & LED units
- Various lens colours
- Optional cast or wire lens guard
- High powered LED flashing or steady

\*Model dependent



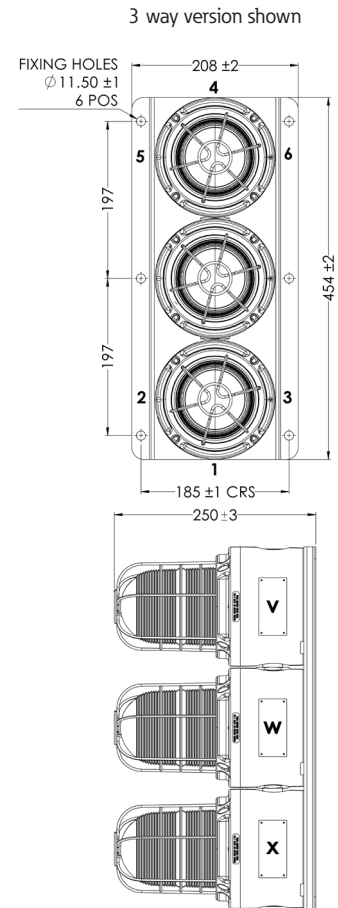
## Certifications

<b>ATEX Ex d</b>	Cert. no. Baseefa 04ATEX0009X Certified to: EN60079-0, EN60079-1, EN60079-31, (EN60079-28 LED only) Xenon: Ex II 2GD Ex db IIC T4/T5/T6 Gb, Ex tb IIIC T85°C/T100°C/T135°C Db LED: Ex II 2GD Ex db op is IIC T5/T6 Gb, Ex tb op is IIIC T85°C/T100°C Db Filament: Ex II 2GD Ex db IIC T3/T4 Gb, Ex tb IIIC T135°C/T200°C Db
<b>IECEX Ex d</b>	Cert. no. IECEX BAS 05.0048X Certified to: IEC60079-0, IEC60079-1, IEC60079-31 (IEC60079-28 LED only) Xenon: Ex db IIC T4/T5/T6 Gb, Ex tb IIIC T85°C/T100°C/T135°C Db LED: Ex db op is IIC T4/T5/T6 Gb, Ex tb op is IIIC T85°C/T100°C/T135°C Db Filament: Ex db IIC T3/T4 Gb, Ex tb IIIC T135°C/T200°C Db

## Specifications

<b>Material</b>	Body: glass reinforced polyester Lens: glass Back plate & fixings: stainless steel 316 Wire guard (optional): stainless steel wire Cast guard (optional): aluminium LM25M
<b>Finish</b>	Natural black or painted to customer specification
<b>Voltage</b>	24, 48V d.c. - 110, 120, 230, 240, 254V a.c.
<b>Xenon</b>	Tube energy: 5, 10 or 15 joules Tube life: >1x10 <sup>6</sup> flashes Flash rate: 60, 80 or 120 fpm Certified temp: 15J -55°C to +70°C (T4), -55°C to +40°C (T5) 10J: -55°C to +70°C (T4), -55°C to +55°C (T5), -55°C to +40°C (T6) 5J: -55°C to +70°C (T5), -55°C to +55°C (T6)
<b>Filament</b>	Lamp type: 60W GLS filament Lamp holder: E27 as standard Certified temp: 60W -55°C to +55°C (T4) -55°C to +70°C (T3)
<b>LED</b>	Certified temp: -55°C to +55°C (T6) -55°C to +70°C (T5) LED life: up to 54,000 hours
<b>Weight</b>	2-Way: 6.5Kg, 3-Way: 9.8Kg, 4-Way: 13.1Kg
<b>Ingress protection</b>	IP66 & 67
<b>Entries</b>	Available with up to 2 x M20 or 2 x M25 entries in either bottom or top of unit. Entries in both bottom and top of unit by special order only
<b>Terminals</b>	Suitable for up to 2.5mm <sup>2</sup> cable max
<b>Labels</b>	Tag/duty label option

## General arrangement drawing (all dimensions in mm)



### Current consumption per way (A):

Voltage	dc		ac (50Hz*)				
	24	48	110	120	230	240	254
5J Xenon	0.33	0.15	0.12	0.13	0.07	0.07	0.07
10J Xenon	0.65	0.32	0.19	0.21	0.11	0.12	0.12
15J Xenon	0.9	0.43	0.22	0.25	0.14	0.16	0.14
Filament - 60W	2.5	1.25	0.55	0.5	0.26	0.25	-
LED - Steady	0.22	0.12	0.07	0.07	0.04	0.04	0.04
LED - Flashing	0.42	0.22	0.09	0.09	0.05	0.05	0.05

\* For 60Hz please refer to the US datasheet

### Light output (effective Cd):

5J Xenon	10J Xenon	15J Xenon	Filament 60W	LED - Steady	LED - Flashing (60fpm)
107	280	382	64	86	128

### Multiplying factor for coloured lenses

	Red	Blue	Green	Amber	Clear	Yellow
Xenon/filament	0.12	0.11	0.29	0.22	1	0.74
LED	0.47	0.19	0.67	0.43	1	0.95

## Ordering requirements

The following code is designed to help in selection of the correct unit. Build up the reference number by inserting the code for each component into the appropriate box

Model	Certification	Lamp type/positions				Voltage	Cable entries	Lens guard	Duty/tag	Finish																																																																	
SL15		V	W	X	Y																																																																						
	<table border="1"> <thead> <tr> <th>Certification</th> <th>Code</th> </tr> </thead> <tbody> <tr> <td>ATEX</td> <td>B</td> </tr> <tr> <td>IECEX</td> <td>J</td> </tr> </tbody> </table>	Certification	Code	ATEX	B	IECEX	J					<table border="1"> <thead> <tr> <th>Voltage</th> <th>Code</th> </tr> </thead> <tbody> <tr> <td>24V d.c.</td> <td>024</td> </tr> <tr> <td>48V d.c.</td> <td>048</td> </tr> <tr> <td>110V a.c.</td> <td>110</td> </tr> <tr> <td>120V a.c.</td> <td>120</td> </tr> <tr> <td>230V a.c.</td> <td>230</td> </tr> <tr> <td>240V a.c.</td> <td>240</td> </tr> <tr> <td>254V a.c.</td> <td>254</td> </tr> </tbody> </table>	Voltage	Code	24V d.c.	024	48V d.c.	048	110V a.c.	110	120V a.c.	120	230V a.c.	230	240V a.c.	240	254V a.c.	254		<table border="1"> <thead> <tr> <th>Guard</th> <th>Code</th> </tr> </thead> <tbody> <tr> <td>None</td> <td>N</td> </tr> <tr> <td>Cast</td> <td>C</td> </tr> <tr> <td>Wire</td> <td>W</td> </tr> </tbody> </table>	Guard	Code	None	N	Cast	C	Wire	W		<table border="1"> <thead> <tr> <th>Finish</th> <th>Code</th> </tr> </thead> <tbody> <tr> <td>Natural black</td> <td>N</td> </tr> <tr> <td>Red</td> <td>R</td> </tr> <tr> <td>Blue</td> <td>B</td> </tr> <tr> <td>Yellow</td> <td>Y</td> </tr> <tr> <td>Green</td> <td>G</td> </tr> <tr> <td>White</td> <td>W</td> </tr> <tr> <td>Special</td> <td>S*</td> </tr> </tbody> </table> <p>*Please specify</p>	Finish	Code	Natural black	N	Red	R	Blue	B	Yellow	Y	Green	G	White	W	Special	S*																			
Certification	Code																																																																										
ATEX	B																																																																										
IECEX	J																																																																										
Voltage	Code																																																																										
24V d.c.	024																																																																										
48V d.c.	048																																																																										
110V a.c.	110																																																																										
120V a.c.	120																																																																										
230V a.c.	230																																																																										
240V a.c.	240																																																																										
254V a.c.	254																																																																										
Guard	Code																																																																										
None	N																																																																										
Cast	C																																																																										
Wire	W																																																																										
Finish	Code																																																																										
Natural black	N																																																																										
Red	R																																																																										
Blue	B																																																																										
Yellow	Y																																																																										
Green	G																																																																										
White	W																																																																										
Special	S*																																																																										
		<table border="1"> <thead> <tr> <th colspan="2">Indicate light module type</th> <th colspan="2">LED - 6*</th> <th colspan="2">Xenon</th> <th colspan="2">Xenon</th> </tr> </thead> <tbody> <tr> <td>Filament</td> <td>Xenon</td> <td></td> <td></td> <td></td> <td></td> <td></td> <td></td> </tr> <tr> <td>60W - 1†</td> <td>15J 60fpm - 3</td> <td></td> <td></td> <td>10J 60fpm - 7</td> <td>5J 60fpm - 10</td> <td></td> <td></td> </tr> <tr> <td></td> <td>15J 80fpm - 4</td> <td></td> <td></td> <td>10J 80fpm - 8</td> <td>5J 80fpm - 11</td> <td></td> <td></td> </tr> <tr> <td></td> <td>15J 120fpm - 5</td> <td></td> <td></td> <td>10J 120fpm - 9</td> <td>5J 120fpm - 12</td> <td></td> <td></td> </tr> </tbody> </table> <p>Suffixed by colour required</p> <table border="1"> <thead> <tr> <th>Lens colour</th> <th>Code</th> </tr> </thead> <tbody> <tr> <td>Red</td> <td>R</td> </tr> <tr> <td>Blue</td> <td>B</td> </tr> <tr> <td>Green</td> <td>G</td> </tr> <tr> <td>Amber</td> <td>A</td> </tr> <tr> <td>Yellow</td> <td>Y</td> </tr> <tr> <td>Clear</td> <td>C</td> </tr> </tbody> </table>				Indicate light module type		LED - 6*		Xenon		Xenon		Filament	Xenon							60W - 1†	15J 60fpm - 3			10J 60fpm - 7	5J 60fpm - 10				15J 80fpm - 4			10J 80fpm - 8	5J 80fpm - 11				15J 120fpm - 5			10J 120fpm - 9	5J 120fpm - 12			Lens colour	Code	Red	R	Blue	B	Green	G	Amber	A	Yellow	Y	Clear	C	<table border="1"> <thead> <tr> <th>Entry Size</th> <th>Code</th> </tr> </thead> <tbody> <tr> <td>M20</td> <td>*C</td> </tr> <tr> <td>M25</td> <td>*D</td> </tr> </tbody> </table> <p>*Prefix with cable entry position (see diagram) Note: maximum 2 entries bottom OR top Bottom AND top entry(s) by special order only</p>	Entry Size	Code	M20	*C	M25	*D	<table border="1"> <thead> <tr> <th>Label</th> <th>Code</th> </tr> </thead> <tbody> <tr> <td>Duty label</td> <td>D*</td> </tr> <tr> <td>Tag label</td> <td>T*</td> </tr> <tr> <td>None</td> <td>N</td> </tr> </tbody> </table> <p>*Please specify</p>	Label	Code	Duty label	D*	Tag label	T*	None	N
Indicate light module type		LED - 6*		Xenon		Xenon																																																																					
Filament	Xenon																																																																										
60W - 1†	15J 60fpm - 3			10J 60fpm - 7	5J 60fpm - 10																																																																						
	15J 80fpm - 4			10J 80fpm - 8	5J 80fpm - 11																																																																						
	15J 120fpm - 5			10J 120fpm - 9	5J 120fpm - 12																																																																						
Lens colour	Code																																																																										
Red	R																																																																										
Blue	B																																																																										
Green	G																																																																										
Amber	A																																																																										
Yellow	Y																																																																										
Clear	C																																																																										
Entry Size	Code																																																																										
M20	*C																																																																										
M25	*D																																																																										
Label	Code																																																																										
Duty label	D*																																																																										
Tag label	T*																																																																										
None	N																																																																										

\*User selectable function preset at 60fpm  
†Not available 254Vdc

Example: A two way ATEX approved unit with one 60W filament lamp with green lens for the top unit and one 15J 60fpm xenon lamp with red lens for the bottom unit, rated 24V with 2 x M20 bottom entries, no guard, no labels, finished in red would be:  
**SL15B1G3R0242C3CNNR**