

Warning Panel Multimode AL4-LED

LED
75 cd



AL4-LED with opaque text
(Text not installed in standard)



APPLICATIONS

The AL4-LED warning panel is designed to signal a specific risk and/or the action to be taken. Standard messages are **IMMEDIATE EVACUATION** or **FORBIDDEN ENTRY**. Others messages will be designed on customer demand.

Main applications are :

- Entry and exit of specific places
- Information on critical risks
- Extinguishing process

BENEFITS

- High visual power with 75 cd through 4 x LEDs
- Custom made messages !
- Weatherproof IP65
- Indoor and outdoor installation
- Low power consumption
- 72 dB buzzer (Buzzer can be disconnected)
- Voltage supply 19/60VDC & 230 VAC
- Reverse polarity protection

Note : This product may not be suitable for use in strong sunlight. Make sure you install a sun protection

AVAILABLE MODE	Numerous modes available as standard and selectable by four internal jumpers (JP1, 2, 3 et 4) : Open (O) or Closed (F) JP1 O = Full power F = Low power JP2 O = LED steady F = LED flashing – 60 flash/minute JP3 O = Continuous sound F = Intermittent sound JP4 O = Buzzer active F = Buzzer inactive
LIGHT OUTPUT	75 cd with opaque text (see picture) or 451 cd without opaque text
SOUND POWER	72 dB @1m through buzzer. Sound frequency 3200 Hz
OPERATING TEMPERATURE	From -10°C to +50°C
WEATHERPROOF	IP65
MATERIAL	Self-extinguishing white polycarbonate with transparent lid
WEIGHT	0,6 Kg
POWER SUPPLY	Internal choice between 19/60 VDC et 230 VAC
CONSUMPTION (mA)	@24 VDC = Max. 73 mA. @48 VDC = Max. 43 mA. @230 VAC = Max. 12 mA Please refer to last page detail for specific current consumption
CABLE ENTRY	4 knock-out 20mm entries
OPTION	Customised texts on request in any languages. Example: ANOXIA RISK, H2S DETECTION, ENTRY FORBIDDEN, H2S DETECTION Standard text are letters in red with an opaque red background. Other available on request.

MAIN REFERENCE

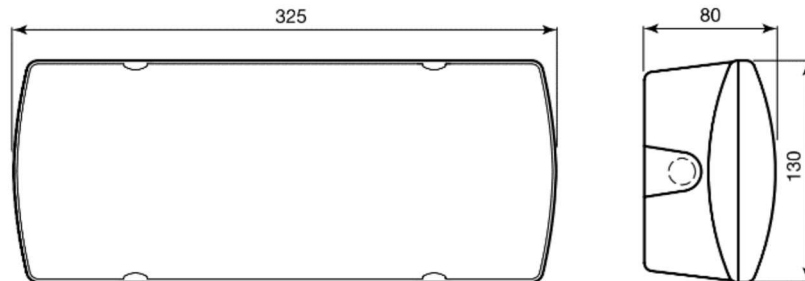
REFERENCE	DESCRIPTION
AL4-LED	AL4-LED warning panel. 19/60VDC & 230 VAC. IP65. No text
AL-MONTAGE	Text installation on your AL4-LED
TXTR-EV	Non mounted opaque red text rouge for AL4-LED. EVACUATION IMMEDIATE
TXTR-EI	Non mounted opaque red text rouge for AL4-LED. ENTREE INTERDITE



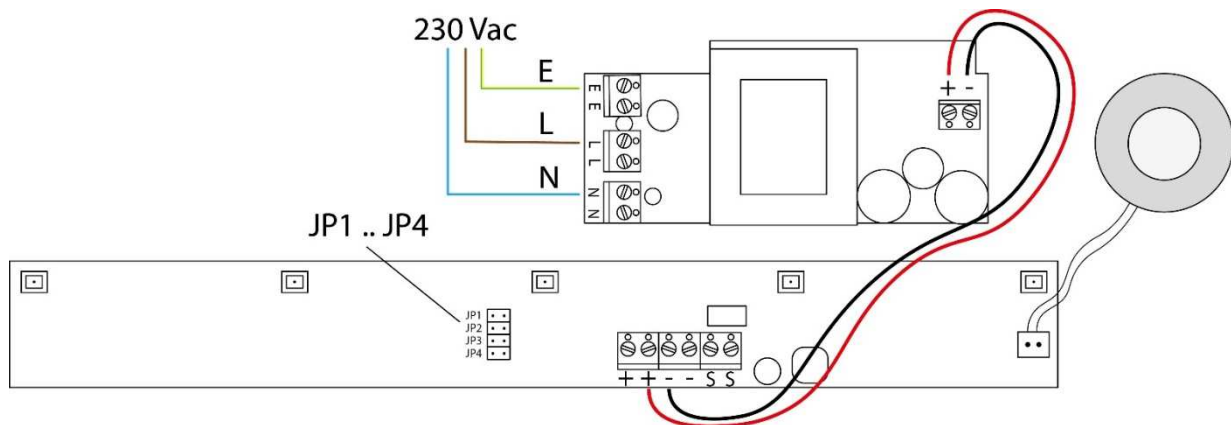
Warning Panel Multimode AL4-LED

LED
75 cd

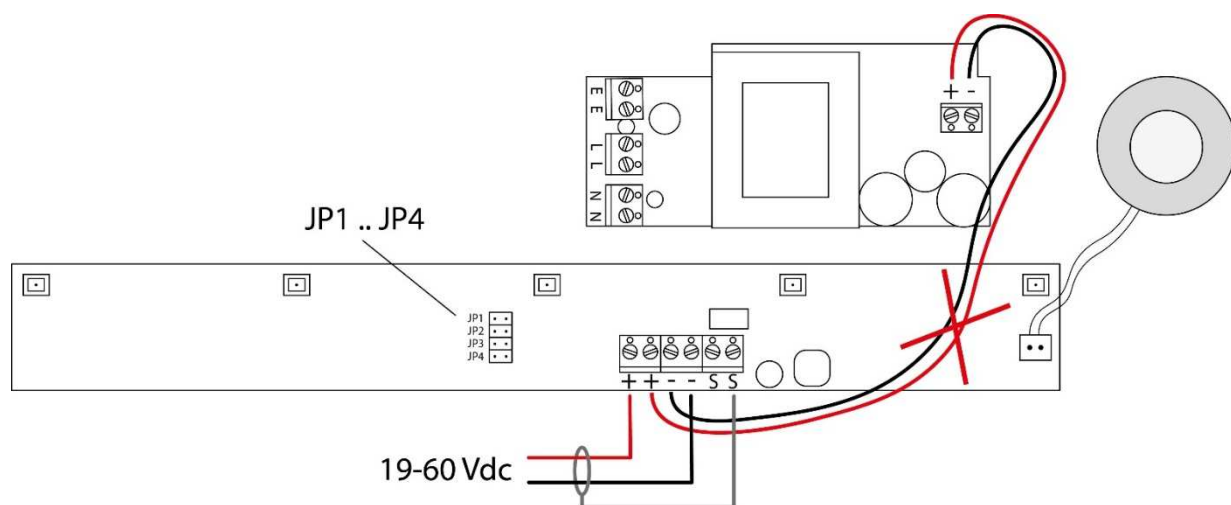
Sizes & dimensions (mm)



Electrical Wiring VAC



Electrical Wiring VDC



Warning Panel Multimode

AL4-LED

LED

75 cd

Current consumption in mA based on different modes

Power supply @ 24VDC				
LED Power	LED mode	Sound	Sound Y / N	Consumption
High	Steady	Continu	YES	72,39
High	Steady	N/A	NO	64,12
Low	Flashing	Intermittent	YES	34,51
Low	Flashing	N/A	NO	27,98
Low	Flashing	Continu	YES	46,88
Low	Steady	N/A	NO	40,14
Low	Steady	Intermittent	YES	48,15
Low	Steady	Continu	YES	55,11
High	Flashing	N/A	NO	39,71
High	Flashing	Intermittent	YES	49,79
High	Flashing	Continu	YES	54,63
High	Steady	Intermittent	YES	68,24

Power supply @ 48VDC				
LED Power	LED mode	Sound	Sound Y / N	Consumption
High	Steady	Continu	YES	42,38
High	Steady	N/A	NO	39,4
Low	Flashing	Intermittent	YES	29,69
Low	Flashing	N/A	NO	26,78
Low	Flashing	Continu	YES	36,51
Low	Steady	N/A	NO	34,11
Low	Steady	Intermittent	YES	36,46
Low	Steady	Continu	YES	38,98
High	Flashing	N/A	NO	30,84
High	Flashing	Intermittent	YES	37,24
High	Flashing	Continu	YES	39,19
High	Steady	Intermittent	YES	40,95

Power supply @ 230VAC				
LED Power	LED mode	Sound	Sound Y / N	Consumption
High	Steady	Continu	YES	12,27
High	Steady	N/A	NO	11,38
Low	Flashing	Intermittent	YES	9,22
Low	Flashing	N/A	NO	8,97
Low	Flashing	Continu	YES	8,88
Low	Steady	N/A	NO	9,11
Low	Steady	Intermittent	YES	9,48
Low	Steady	Continu	YES	9,82
High	Flashing	N/A	NO	9,31
High	Flashing	Intermittent	YES	9,59
High	Flashing	Continu	YES	10,16
High	Steady	Intermittent	YES	11,65

